








A world's leading manufacturer of power tools


 Double Insulation

 Variable Speed


 Reversing

 Torque Limiter

 Built in job light (Model HR2450FT)

 SDS-Plus drive

 Carrying Case

 Dust Collecting

Rotary Hammer

24 mm (15/16") HR2450FT/ HR2450T

Quick chuck change system models have been added to Makita 2 kg Rotary Hammer series.



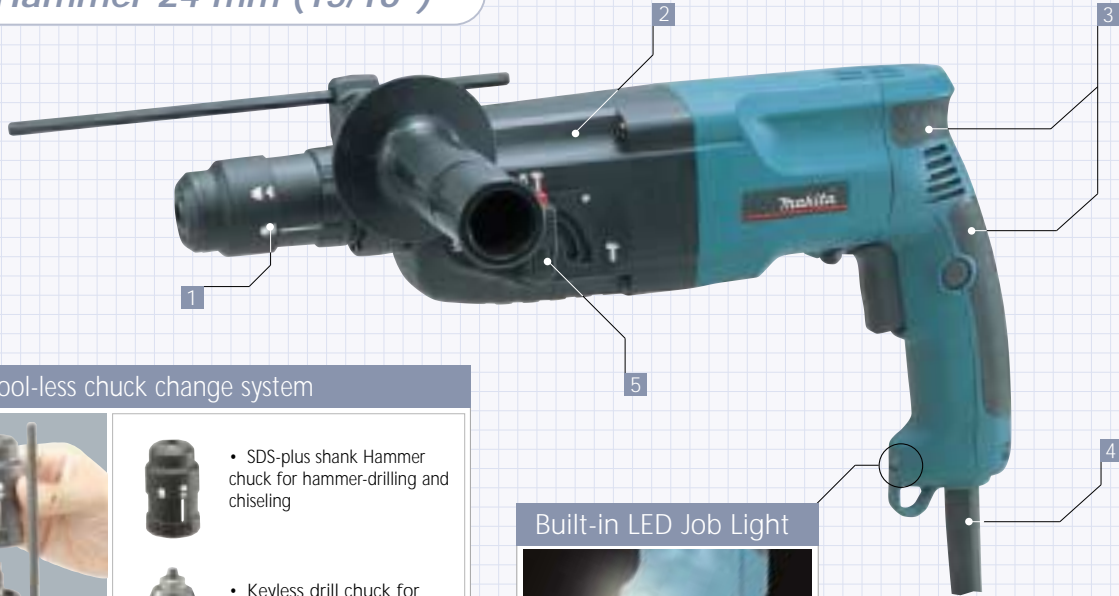
NEW



In-line and Ergonomically Designed pistol Grip for Operator comfort and less fatigue

A world's leading manufacturer of power tools

Rotary Hammer 24 mm (15/16")



1. Quick, tool-less chuck change system



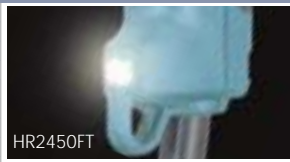
- SDS-plus shank Hammer chuck for hammer-drilling and chiseling



- Keyless drill chuck for drilling and screw-driving in wood, metal, plastic

Note : Use only with drill mode.

Built-in LED Job Light



2. Torque limiter

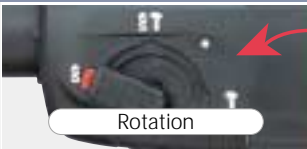
When drill bit hits against reinforcements, Torque Limiter operates to stop the rotation of drill bit, ensuring safety in your work.

3. Ergonomically Designed Rubber Grip

4. Highly Durable Cord Guard

5. 3 mode change lever

Easy to change action mode to "Rotation only" or "Rotation + Percussion" and "Percussion only".



Rotation

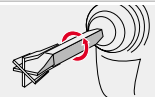


Rotation + Percussion



Percussion

Chisel locking at 40 different positions.



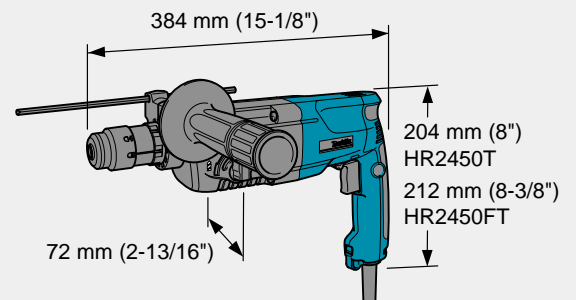
Practical chisel angle positioning-desired 40 positions without using chisel adapter.

Specifications

		HR2450FT/ HR2450T	
Capacities	Steel	13 mm (1/2")	
	Wood	32 mm (1-1/4")	
	Concrete	TCT. hammer bit	24 mm (15/16")
		Core bit	54 mm (2-1/8")
		Diamond core	65 mm (2-9/16")
Continuous rating Input		780 W	
No load speed		0 - 1,100 min ⁻¹ (rpm)	
Blows per minute		0 - 4,500 min ⁻¹ (bpm)	
Overall length		384 mm (15-1/8")	
Net weight		2.6 kg (5.7 lbs)	
Power supply cord		4.0 m (13.1 ft.)	

Specifications may differ from country to country.

Dimension



Makita Corporation

3-11-8, Sumiyoshi-cho, Anjo, Aichi 446-8502, Japan

PRINTED IN JAPAN Z 23104-2 2003-8