



## Cordless Circular Saw BHS630 165mm (6-1/2")

Satisfy Professional's Needs



# 66mm max. cut depth

DC 165mm handy circular saw with  
190mm class cutting capacity.



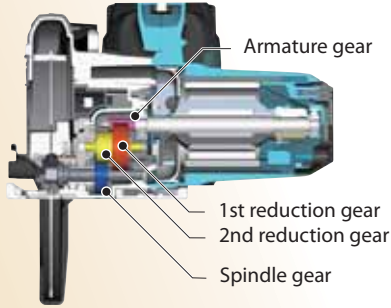


# Higher cutting capacity

## 2 step Gear Reduction System

BHS630 has 190mm class cutting capacity.

2 step gear reduction system contributes for earning more cutting space and gaining enough gear reduction ratio.



### Cutting Capacity Comparison

**BHS630**

**66mm**



**Competitor A**

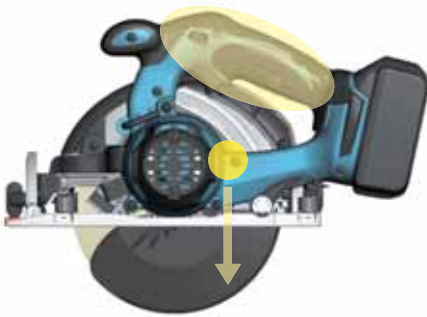
**57mm**

**Competitor B**

**51mm**

## High maneuverability achieved by well balanced tool design.

Center of gravity is positioned just under the handle.



Lock-off button is conveniently located and easy to use.

Rubberized soft grip

Rear dust exhaust

Dust nozzle is attachable for connecting to vacuum cleaner.



Rigid Aluminum Base

Fine parallel adjustment of base plate to saw blade

## Lightweight at only 3.5kg

while maintaining high cutting capacity.

### Weight Comparison

**BHS630**

**3.5kg**



**Competitor A**

**3.6kg**

**Competitor B**

**4.1kg**

### Twin LED Job light



### Single action rip fence lock



### Blower function



**Battery BL1830**  
18V-3.0Ah

**Fast Charger**  
DC18RA  
Charging time 22min.

**Fast Charger**  
DC18RC  
Charging time 22min.

**Charger**  
DC18SD  
Charging time 60min.



## Cordless Circular Saw

**BHS630** 165mm (6-1/2")

441



- Brake
- Dust Collecting
- Built-in Job Light
- Carrying Case

<b>Max cutting capacity</b>	at 0 degrees : 66mm (2-5/8") at 45 degrees : 46mm (1-13/16")
<b>Blade diameter</b>	165mm (6-1/2")
<b>No load speed (rpm)</b>	3,100
<b>Dimensions (L x W x H)</b>	346x220x247mm (13-5/8"x8-5/8"x9-3/4")
<b>Net Weight*</b>	3.5kg (7.7lbs)

### Standard Equipment :

Fast Charger, Battery Cartridge, TCT Saw Blade, Hex Wrench, Rip Fence, Dust Nozzle

\*weight according to EPTA-Procedure 01/2003

Items of standard equipment and specifications may vary by country or area.

# Makita Corporation

3-11-8 Sumiyoshi-cho, Anjo, Aichi, 446-8502 Japan

PRINTED IN JAPAN BC-AC