

Standard equipment

Steel Rod Cutter / Model SC161

	Part No
Hex wrench 3	783201-2
Hex wrench 4	783202-0
Hex wrench 5	783203-8

	Part No
Spanner 14-17 oil 35 c.c.	SC00000499 SC00000106

Items of standard equipment may differ from country to country.

Hole Puncher / Model PP200

	Part No
Punch 11	SC05330060
Dies B-11	SC00000191
Dies SB-18	SC00000223
Work stand	SC00000163
Hex. wrench 3	783201-2
Hex. wrench 4	783202-0

	Part No
Hex. wrench 5	783203-8
Hex. wrench 6	783204-6
Hex. wrench 8	783210-1
Spanner 8-10	SC00000166
Oil 35 c.c.	SC00000106

Items of standard equipment may differ from country to country.

Optional Accessories


Steel Rod Cutter / Model SC161

	Part No
Blade set	SC00000111

Steel Rod Cutter / Model SC161

Punch & Die For Model PP200

• Punches holes through up to 6mm stainless steel.



Punch Die

Punching size Ø	Round holes								Punching size Ø x L	Oblong			
	Punch		Die				Punch Part No.	Die					
	Normal steel, Stainless steel, Channel	6mm stainless steel exclusively	Normal steel (Thickness) 2-3.2 mm 4-6 mm	Stainless steel (Thickness) 3 mm 4 mm (6 mm) 4-5 mm (6 mm)	Channel SS400	Normal steel (Thickness) 2-3.2 mm 4-6 mm		Channel SS400					
6 mm	SC05330010	-	SC00000180	SC00000181	SC00000202	SC00000203	-	-	6.5 x 10 mm	SC00000231	SC00000243	SC00000244	-
6.5 mm	SC05330020	-	SC00000182	SC00000183	SC00000204	SC00000205	-	-	6.5 x 13 mm	SC00000232	SC00000245	SC00000246	-
8 mm	SC05330030	-	SC00000184	SC00000185	SC00000206	SC00000207	-	-	8.5 x 13 mm	SC00000233	SC00000247	SC00000248	-
8.5 mm	SC05330040	-	SC00000186	SC00000187	SC00000208	SC00000209	-	-	8.5 x 17 mm	SC00000234	SC00000249	SC00000250	-
10 mm	SC05330050	-	SC00000188	SC00000189	SC00000210	SC00000211	-	SC00000224	9 x 13.5 mm	SC00000235	SC00000251	SC00000252	-
11 mm	SC05330060	SC05330200	SC00000190	SC00000191	SC00000212	-	• SC00000213	SC00000225	9 x 18 mm	SC00000236	SC00000253	SC00000254	-
12 mm	SC05330070	SC05330210	SC00000192	SC00000193	SC00000214	-	• SC00000215	SC00000226	10 x 15 mm	SC00000237	SC00000255	SC00000256	SC00000267
13 mm	SC05330080	SC05330220	SC00000194	SC00000195	SC00000216	-	• SC00000217	SC00000227	10 x 20 mm	SC00000238	SC00000257	SC00000258	SC00000268
14 mm	SC05330090	SC05330230	SC00000196	SC00000197	SC00000218	-	• SC00000219	SC00000228	11 x 16.5 mm	SC00000239	SC00000259	SC00000260	SC00000269
15 mm	SC05330100	SC05330240	SC00000198	SC00000199	SC00000220	• SC00000221	-	SC00000229	12 x 18 mm	SC00000240	SC00000261	SC00000262	-
16 mm	SC05330110	SC05330250	SC05330700	SC05330710	SC05332700	• SC05332710	-	-	13 x 19.5 mm	SC00000241	SC00000263	SC00000264	-
18 mm	SC05330120	SC05330260	SC00000200	SC00000201	SC00000222	• SC00000223	-	SC00000230	14 x 21 mm	SC00000242	SC00000265	SC00000266	-
20 mm	SC05350010	SC05330270	SC05350500	SC05350510	SC05352500	• SC05352510	-	-	-	-	-	-	-

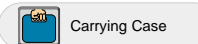
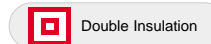
Makita Corporation

3-11-8, Sumiyoshi-cho, Anjo, Aichi 446-8502, Japan

PRINTED IN JAPAN Z14341-2 2003-12

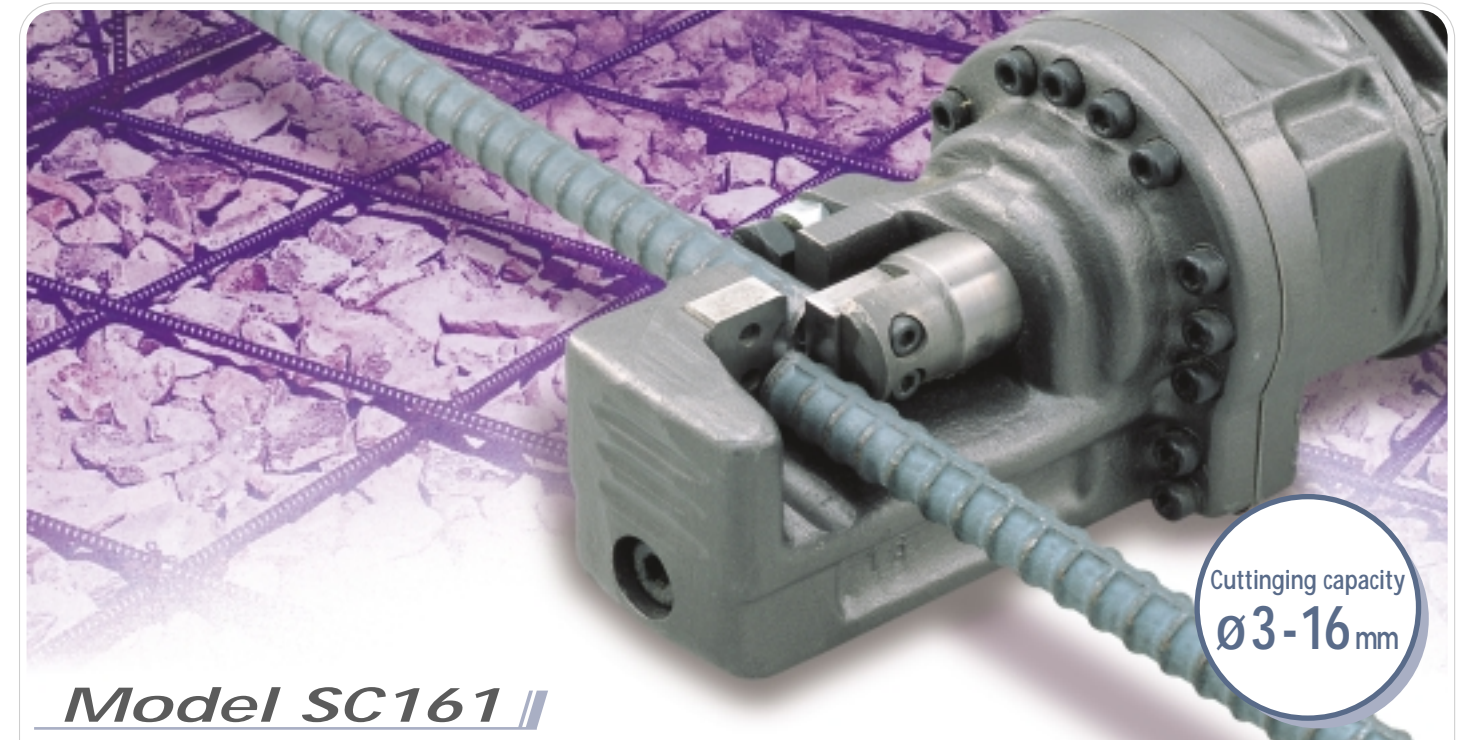


A world's leading manufacturer of power tools



AC Motor Powered Hydraulic Series

Steel Rod Cutter / Model SC161 Hole Puncher / Model PP200



Cutting capacity
Ø3-16 mm

Model SC161 //

Model PP200 //



•Max. punching capacity•

Hole size
Ø20 mm

Material thickness
t=6 mm

NEW

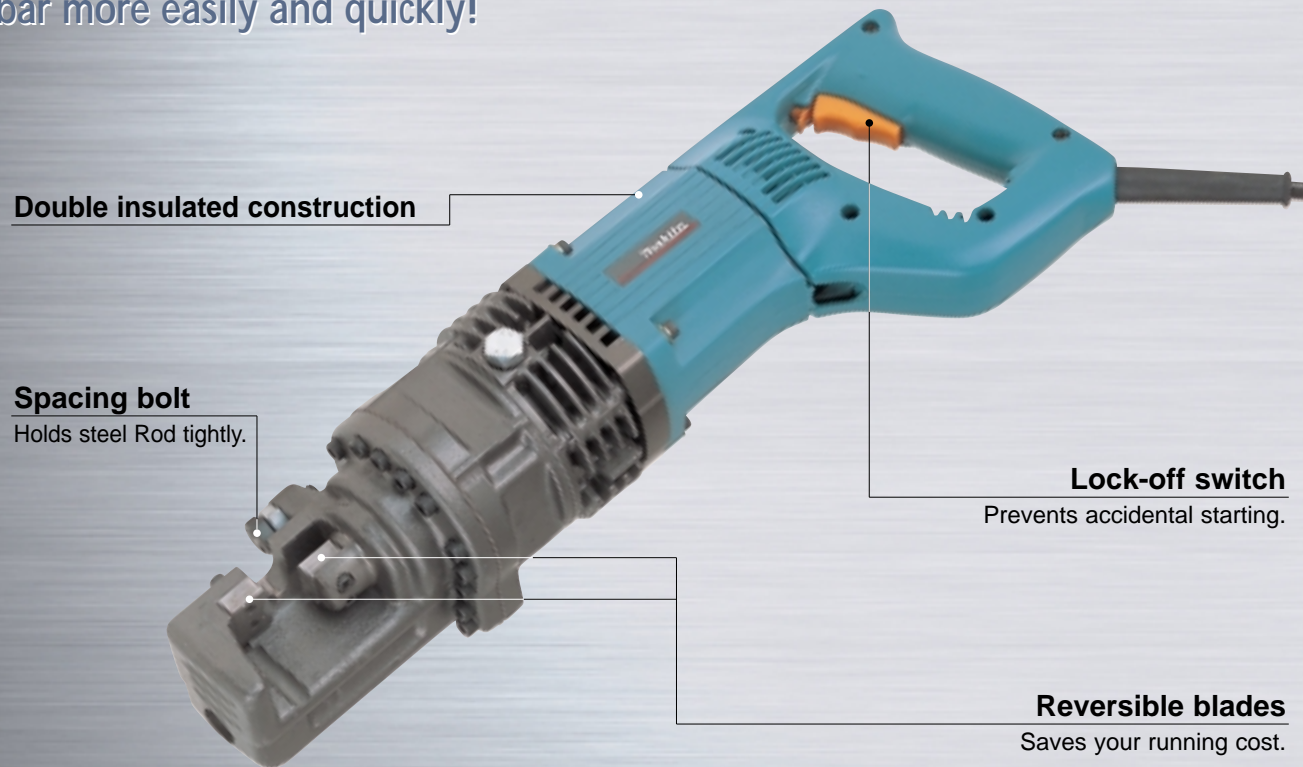


A world's leading manufacturer of power tools

Hydraulic Power provides great productivity gains!

SC161

Powered by 1,010 W strong motor, cuts $\varnothing 16$ mm rebar more easily and quickly!

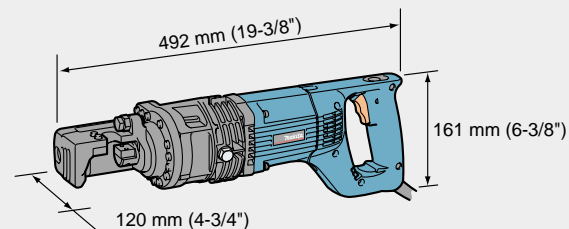


Specifications

Cutting capacity (dia.)	3 mm – 16 mm (1/8" – 5/8")
Continuous rating	
Input	1,010 W
Overall length	492 mm (19-3/8")
Net weight	8.0 kg (17.6 lbs)
Power supply cord	2.5 m (8.2 ft.)

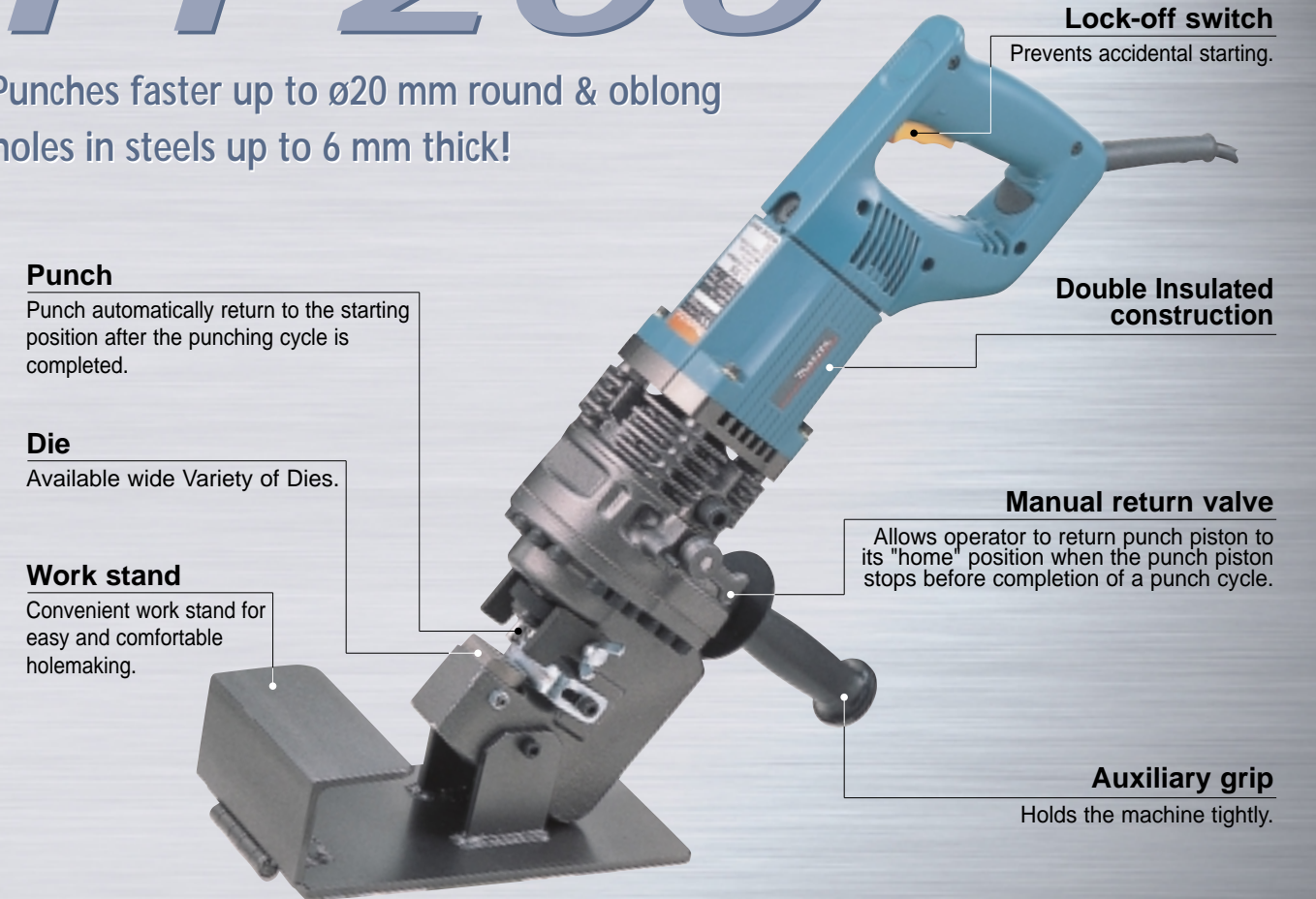
Specifications may differ from country to country.

Dimension



PP200

Punches faster up to $\varnothing 20$ mm round & oblong holes in steels up to 6 mm thick!



Flat bars



Angles



Channels

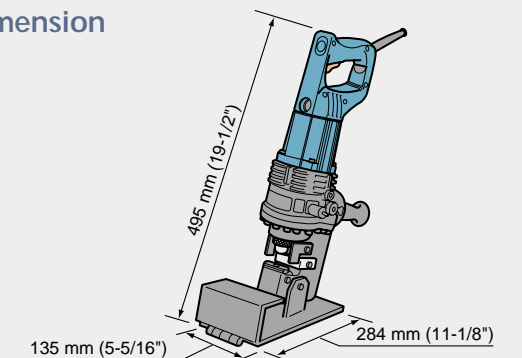


Specifications

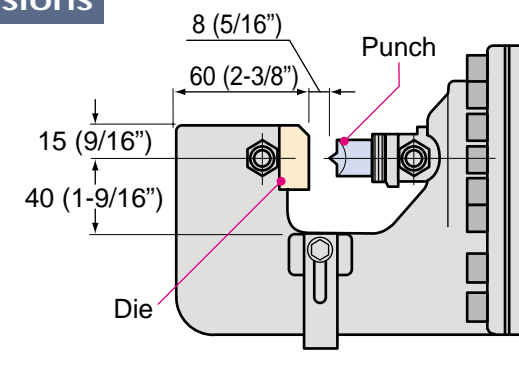
Max. punching capacity	dia. : 20 mm (t=6 mm)
Continuous rating	
Input	1,010 W
Overall length	495 mm (19-1/2")
Net weight	11.4 kg (25.1 lbs)
Power supply cord	5 m (16.4 ft.)

Specifications may differ from country to country.

Dimension



Punch head dimensions



mm (")