

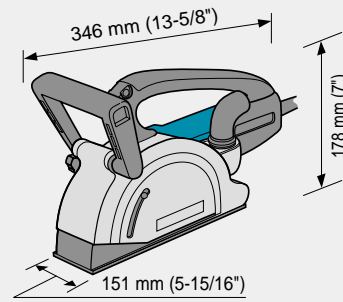
Specifications

Wall chaser

Blade diameter	125 mm (5")
Cutting depth	0 - 30 mm
Possible adjustment of cutting width	6 - 30 mm
Continuous rating	
Input	1,400 W
No load speed	9,000 min ⁻¹ (rpm)
Overall length	346 mm (13-5/8")
Net weight	3.9 kg (8.6 lbs)

Specifications may differ from country to country.

Dimension



Standard equipment

Wall chaser

	Part No.		Part No.
Diamond wheel (2 pcs.)	A-80438	Lock nut wrench	782407-9
Hex wrench	783204-6	Plastic carrying case	824709-8

Note: The standard equipments may differ from country to country.

Optional Accessories

Wall chaser

Wheel Style		Diamond wheels (mm)				Ring				
Shape	Dry or Wet	D	T	X	H	d	Color	Part No.	For Material	
Segmented	Dry	125	2	7.5	22.23	-	Blue	A-80438*	Concrete	
Segmented wave		125	2	7.5	22.23	-	Gold	B-02054	Concrete, Hard Concrete, Granite	

* Standard equipment



A world's leading manufacturer of power tools

- Double Insulation
- Electronic Speed Control
- Super Joint System
- Soft Start
- Dust Collecting
- Carrying Case

Wall Chaser

125 mm (5") Model SG1250



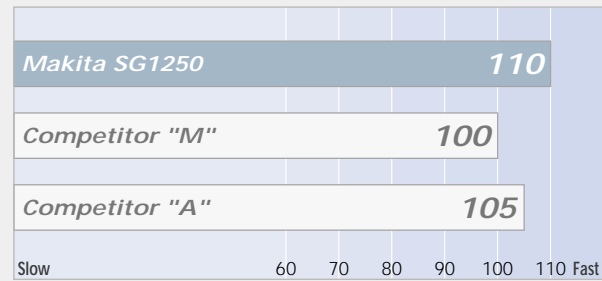


A world's leading manufacturer of power tools

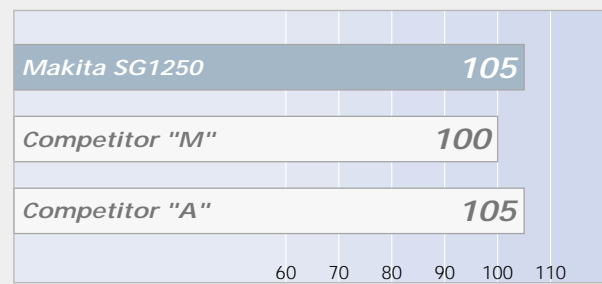
Makita Wall Chaser offers the most efficient cutting of clean edged grooves for channels.

Performance Data

Working Speed



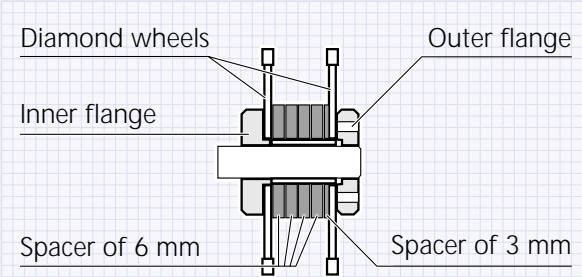
Dust Collecting



- Numbers in chart below are relative values when setting "M's" capacity as 100.
- It may differ under some conditions.

Cutting width

Adjustable cutting width in 9 stage by inserting spacers of 3 mm (1/8") and 6 mm (1/4") in thickness.



Cutting width	Q'ty of 6 mm spacer	Q'ty of 3 mm spacer
6 mm		1 pc.
9 mm	1 pc.	
12 mm	1 pc.	1 pc.
15 mm	2 pcs.	
18 mm	2 pcs.	1 pc.
21 mm	3 pcs.	
24 mm	3 pcs.	1 pc.
27 mm	4 pcs.	
30 mm	4 pcs.	1 pc.

1. Ergonomic handle



Comfortable gripping by ergonomically designed handle.

2. Dust collecting



Connectable with vacuum cleaner for dustless Clean work.

3. Easy blade change



For blade change, simply loosen a bolt.

4. Side grip



Side grip 36 (152490-4) can be attached.

5. Front cover



Conveniently located front cover efficiently prevents the dust from spreading, in every cutting depth.

6. Aluminum blade case



Aluminum blade case, designed for easy adjusting of cutting depth.

7. Wrench holder



Hex wrench conveniently stored.



SG1250
Wall chaser 125 mm (5")

SJS (Super Joint System) Provides the following benefits.

- Smooth and comfortable cutting work.
- Suppression of the shock of accidental wheel lock.
- Protection of the mechanical section from the shock of accidental wheel lock.

Electronic features

- Soft start for suppressing shock at start-ups
- Auto shut-off when overloaded
- Speed control