





A world's leading manufacturer of power tools

 Double Insulation

 Variable Speed

 Reversing

Impact Driver

Model 6952

Compact and Lightweight Impact Driver but Max. fastening torque 120N · m!



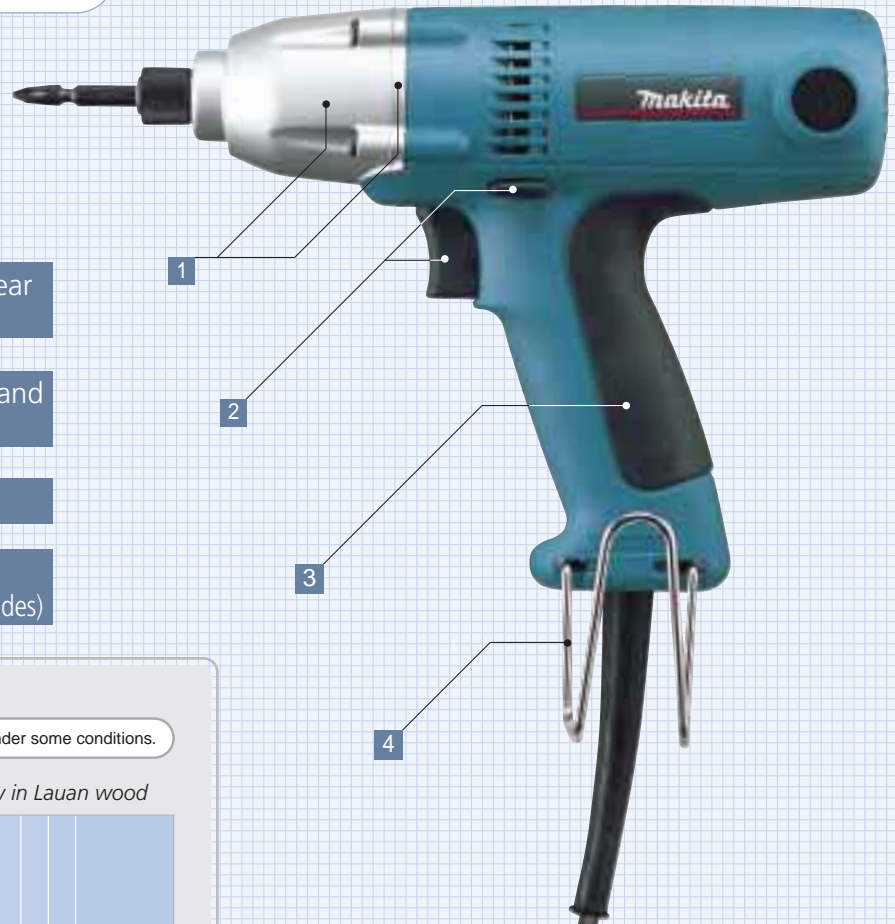


A world's leading manufacturer of power tools

*The Lightest Weight in class /
The Shortest Overall Length in class*

Impact Driver

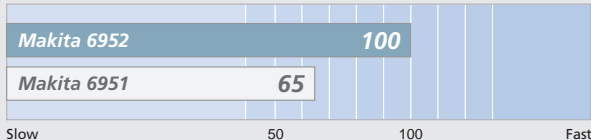
1. Highly rigid aluminum internal gear case and hammer case.
2. Push button type reverse switch and Variable speed switch.
3. Palm fitting soft grip.
4. Toolless detachable belt clip.
(Can be attached on both left and rightsides)



Performance Data

Fastening speed Note: It may differ under some conditions.

■ Fastening: 4.9 mm x 125 mm wood screw in Lauan wood



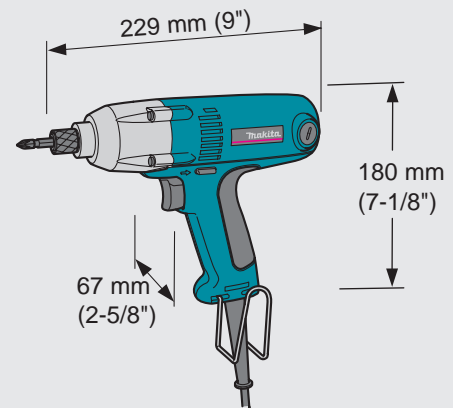
Specifications

Impact Driver

Capacities	
Lag screw	30 mm – 125 mm (1-3/16" – 4-7/8")
Standard bolt	M6 – M14 (1/4"-9/16")
Impacts per minute	0 – 3,100 min ⁻¹
Continuous rating	
Input	270 W
No load speed	0 – 3,200 min ⁻¹ (rpm)
Max. fastening torque	120 N·m (1220 kgf·cm)
Overall length	229 mm (9")
Net weight	1.3 kg (2.9 lbs)
Power supply cord	2.5 m (8.2 ft.)

Specifications may differ from country to country.

Dimension



Makita Corporation

3-11-8, Sumiyoshi-cho, Anjo, Aichi 446-8502, Japan

PRINTED IN JAPAN Z23100-2 2003-8