





A world's leading manufacturer of power tools

 Double Insulation

 Variable Speed

 Reversing

 Plastic Carrying Case

Impact Wrench

Model 6953

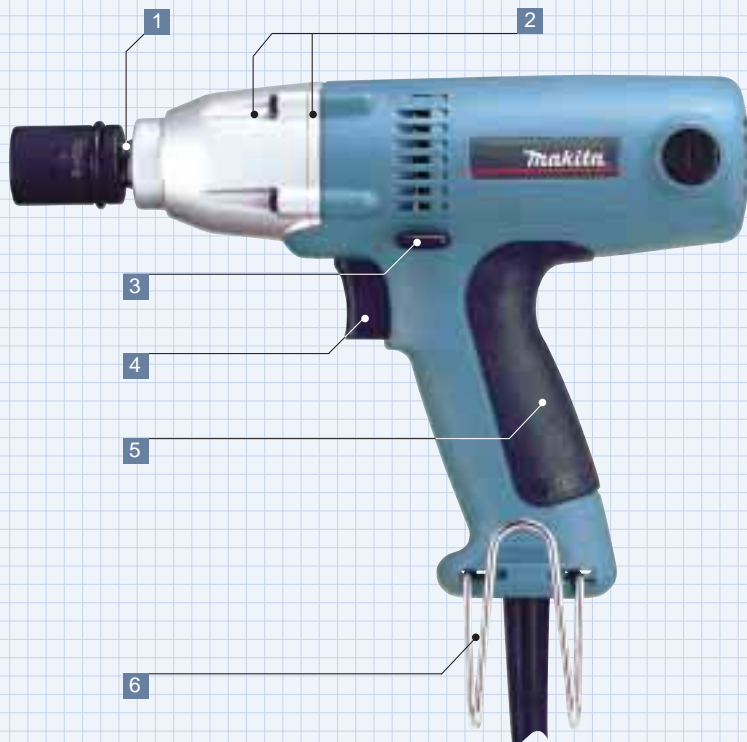
*Compact Size and Lightweight Impact Wrench
but Max. fastening torque 150N.m!*



NEW



Compact body (overall length: 233 mm) and palm-fitting soft grip for superior handling!



Lightweight : only 1.4 kgs

1. 12.7 mm square drive

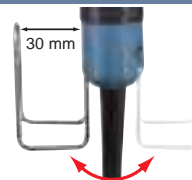
2. High rigid aluminum internal gear case and hammer case

3. Push button type reverse switch

4. Variable speed switch

5. Palm fitting soft grip

6. Toolless detachable belt clip

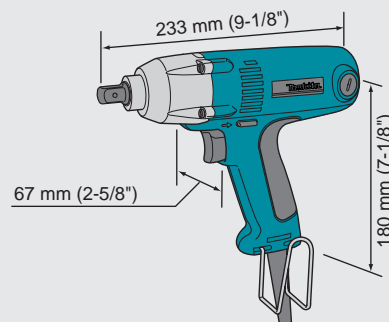


Can be attached on both left and right sides without any tool!

Specifications (Specifications may differ from country to country.)

Capacities	
Standard bolt	M10 – M16
High Tensile bolt	M8 – M12
Square drive	12.7 mm (1/2")
Impact per minute	0 – 3,000
Continuous rating	
Input	280 W
No load speed	0 – 3,000 min ⁻¹ (rpm)
Max. fastening torque	150 N.m (110 ft.-lb)
Overall length	233 mm (9-1/8")
Net weight	1.4 kg (3.1 lbs)
Power supply cord	2.5 m (8.2 ft.)

Dimensions



Optional Accessories

Socket
(With pin and O ring)

Square drive 12.7 (mm)

A (mm)	L (mm)	Part No.
12	75	134867-5
13	38	134825-1
13	52	134827-7

A (mm)	L (mm)	Part No.	A (mm)	L (mm)	Part No.
14	38	134826-9	21	78	134839-0
14	52	134828-5	22	38	134851-0
17	38	134829-3	22	52	134834-0
17	52	134830-8	23	38	134840-5
19	38	134831-6	23	52	134835-8
19	52	134832-4	24	45	134841-3
19	78	134837-4	24	52	134836-6
21	38	134838-2	26	50	134842-1
21	52	134833-2	26	78	134843-9

Bit adapter assembly
(With pin and O ring)

Part No.
134873-0

Extension bar (With pin and O ring)
For work in narrow places where the socket will not reach

L (mm)	Part No.
100	134874-8

Universal joint (With pin and O ring)
For use in a limited space where the tool cannot be held in line with the axis of the bolt or nut

L (mm)	Part No.
84	134877-2

Makita Corporation

3-11-8, Sumiyoshi-cho, Anjo, Aichi 446-8502, Japan