

Specifications

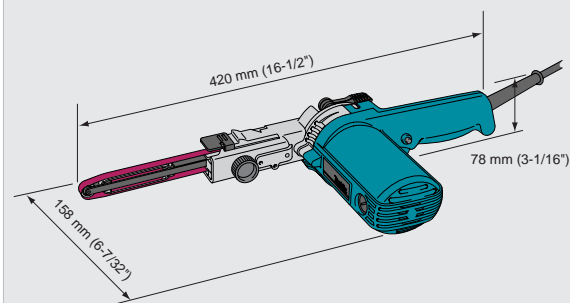
Belt Sander

- Double Insulation
- Electronic speed control
- Dust Collecting

Belt size	9 mm x 533 mm (3/8" x 21")
Belt speed	300 – 1,700 m / min. (980 – 5,600 ft./ min.)
Max. sanding depth	110 mm (4-5/16")
Continuous rating	
Input	500 W
Overall length	420 mm (16-1/2")
Net weight	1.5 kg (3.3 lbs)
Power supply cord	2.5 m (8.2 ft.)

Specifications may differ from country to country.

Dimension



Standard equipment

Belt Sander

	Part No.
Sanding belt 9 - 533 grit 80 2 pcs.	A-34469*
Dust nozzle assembly (only for European countries)	122652-8

* 10 pcs/set part No.

Items of standard equipment may differ from country to country.

Optional accessories

Belt Sander

Sanding arm Assembly		
	Size	Part No.
A	6 mm	125157-7
B	9 mm	125158-5
C	13 mm	125159-3

Dust Nozzle Assembly	
	Part No.
	122652-8

Hose 28	
Size	Part No.
1.5 m	192278-0
3 m	192279-8

Abrasive Belt (10pcs/set)			
	Size	Grit	Part No.
	6 x 533 mm	40	A-34512
		60	A-34528
		80	A-34534
		100	A-34540
	9 x 533 mm	40	A-34447
		60	A-34453
		80	A-34469
		100	A-34475
	13 x 533 mm	40	A-34481
		60	A-34488
		80	A-34578
		100	A-34584
		120	A-34590
		120	A-34609



A world's leading manufacturer of power tools

- Double Insulation
- Electronic speed control
- Dust Collecting

9 mm (3/8") Belt Sander

Model 9032

Makita new power-file sander enables you to file and sand in awkward and confined areas, replacing manual works.



NEW

Makita Corporation

3-11-8, Sumiyoshi-cho, Anjo, Aichi 446-8502, Japan

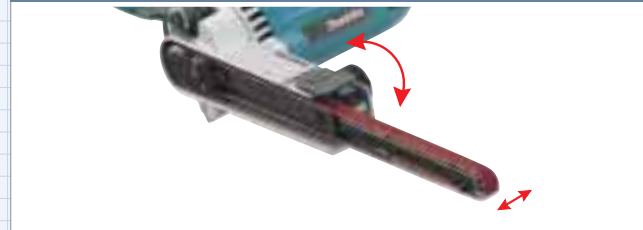
PRINTED IN JAPAN Z23017-2 2001-10

Various sanding arms and sanding belt widths, 6 mm (1/4"), 9 mm (3/8") and 13 mm (1/2"), assures a wider range of sanding and filing applications.

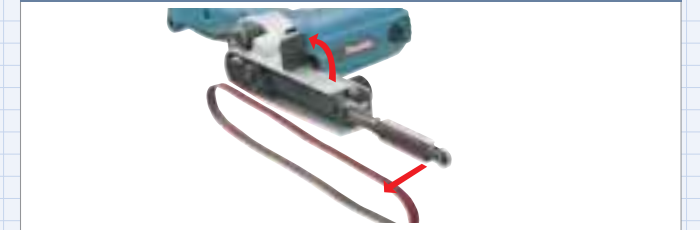
9 mm (3/8") Belt Sander Model 9032



1. Precise adjustment for the belt position can be done by turning the knob on the sander.



2. A belt can be easily replaced by simply pulling the lever (See the figure below).



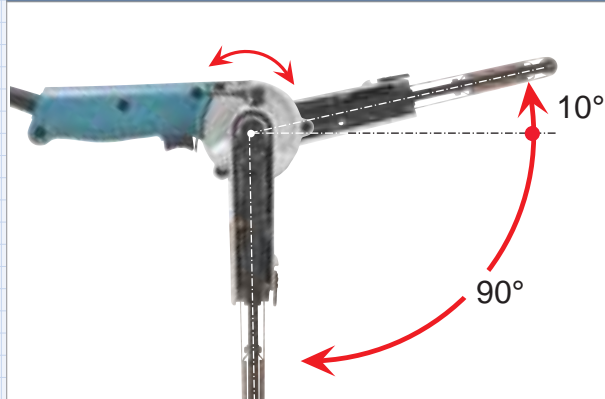
3. Electronic speed control dial.



Speed adjusting dial to select optimum speed (300-1,700 m/min.) to match various materials.

Max. sanding depth 110mm (4-5/16")

4. Adjustable sanding arm.



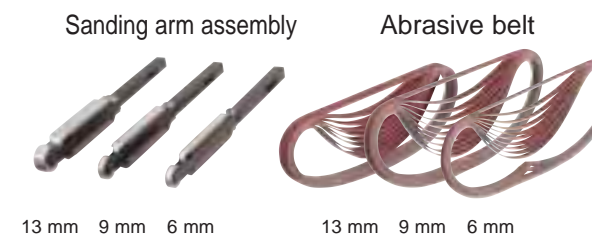
All sanding arms can be swiveled at the above angle for your convenience.

5. Dust-free work with dust extraction system.



Dust extraction directly at the power-file sander (See the above feature) assures a dust free and efficient work. Use Dust Nozzle Assembly and Hose 28 (28 mm diameter hose).

6. 3 different sized sand arms and belts are available for your various works.



6 mm and 13 mm sized sand arms and belts as optional accessories.

7. Convenient slim tension roller with a diameter of only 14 mm enables you to do sanding and filing in confined spots.

