

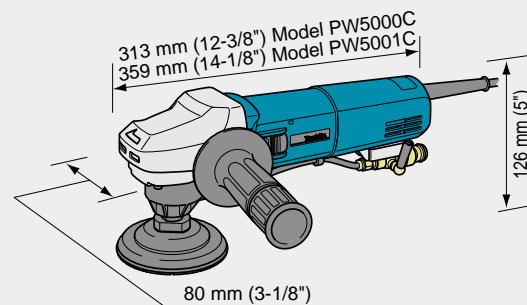
Specifications

Stone Polisher

Pad size	100 mm (4") ~ 125 mm (5")
Arbor	12 mm (15/32")
Continuous rating	
Input	900 W
No load speed	2,000 ~ 4,000 min ⁻¹ (rpm)
Overall length	313 mm (12-3/8") (PW5000C) 359 mm (14-1/8") (PW5001C)
Net weight	2.2 kg (4.9 lbs)
Power supply cord	5 m (16.4 ft.) (PW5000C) 4 m (13.1 ft.) (PW5001C)

Specifications may differ from country to country.

Dimension



Standard equipment

Stone Polisher

	Part No.
Rubber pad 100 (M14)	743080-0
Rubber pad 100 (5/8")	743079-5
Side grip	152490-4

	Part No.
Head cover (PW5000C only)	417322-5
Wrench	781008-7

Note: The standard equipments may differ from country to country.
(Tool does not come with diamond polishing pad.)

Optional Accessories

Stone Polisher

100mm Diamond Polishing Pad



Grit	Color	Part No.
50	Blue	D-15584
100	Yellow	D-15590
200	Orange	D-15609
400	Red	D-15615
800	Dark green	D-15621
1500	Light green	D-15637
3000	Brown	D-15643
100mm Buff(Finishing)	Green	D-15659
Each 1pc sum 8 pcs set		D-15805

Insulated transformer (For Model PW5000C)



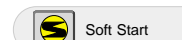
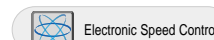
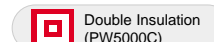
Part No.
P-46660

Makita Corporation

3-11-8, Sumiyoshi-cho, Anjo, Aichi 446-8502, Japan

PRINTED IN JAPAN Z23110-2 2003-11

A world's leading manufacturer of power tools



Stone Polishers

Model PW5000C / PW5001C

Powerful motor, electronic speed control and ergonomic design make it ideal for effective stone polishing.



NEW



A world's leading manufacturer of power tools

Powerful motor, electronic speed control and ergonomic design make it ideal for effective stone polishing.



Stone Polishers

PW5000C, PW5001C

Photo : Model PW5000C



Comparison of products

	Makita PW5000C / PW5001C	Company "F"	Company "A"
No load speed	2,000 ~ 4,000	3,600	2,000
Soft start	Yes	No	No
Over load protection	Yes	No	No
Electronic speed control	Yes	No	No
Pre-setting dial for speed control	Yes	No	No
Water pipe go into	Under the Gear Housing	Top of Gear Housing	Under the Gear Housing

1. Ergonomically designed tool head for comfortable gripping

And more comfortable work with standard-equipped head cover.

2. Diamond Polishing Pad shown in above picture is optional accessory.

3. 3 holes on the spindle top

3 water supply holes evenly feed water to every channel of the polishing pad, preventing the pad from overheating and being clogged with dust.



4. Conveniently located valve allows for easy water flow control in your hand.

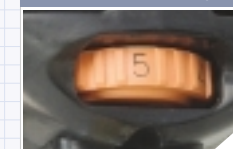


5. Practical hose joint (Hose, picture shows left, doesn't come with tool.)

Merely with one action, hose can be connected with the hose joint on the machine. Additionally, the shape of the joint is exactly same as that of FLEX.



6. Electronic speed control



Electronic feed back circuit maintains set pad speed control to choose an optimal speed. It also comes with a dial speed control to choose an optimal speed. (2,000 ~ 4,000min⁻¹)

Insulated transformer (PW5000C only Optional accessory)



For employing model PW5000C the voltage of power source has to be transformed to 110V with this apparatus.

Residual current device (PW5001C only)



PW5001C comes with Residual current device for grounding.