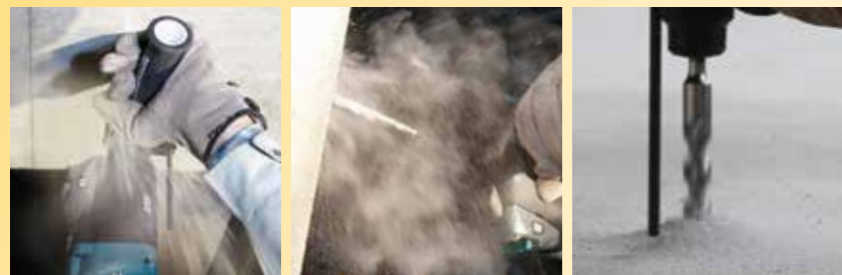


Dust-free work with MAKITA Dust Collection System

WITHOUT Dust Cup and Vacuum Cleaner



- Overhead application: Dust and debris falling on operator's face are disturbing.
- Vertical application: Debris may damage floor surface.
- Downward application: Troublesome cleaning is required to wipe dust and debris away from drilled hole surrounding.



Dust Cup (Option)

Connectable with the hose of Makita vacuum cleaner without joint parts

WITH Dust Cup and Vacuum Cleaner



- Dust cup collects falling dust and debris to protect operator's face.
- With Vacuum cleaner, this dust cup can efficiently extract dust and debris in a wide range of drilling operations; from overhead to vertical downward applications.
- Higher visibility of the bit tip obtained by transparent cup mouth



Rotation with hammering



Hammering



Rotation (Drill Chuck is option)

Combination Hammer

HR2621 26mm (1") Adapted for SDS-PLUS bits

419 mm

- Double Insulation
- Torque Limiter
- Variable Speed
- Dust Collecting
- Reversing
- Carrying Case
- Adapted for SDS-PLUS bits

Continuous rating Input Capacity	800W Concrete : 26mm (1") Steel : 13mm (1/2") Wood : 32mm (1-1/4")
Impacts per minute (ipm)	0-4,500
No load speed (rpm)	0-1,100
Dimensions (L x W x H)	422x76x156mm (16-5/8"x3"x6-1/8")
Net weight	3.1kg (6.8lbs)
Power supply cord	4.0m (13.1ft)

Standard Equipment : Side Handle, Depth Gauge

*weight according to EPTA-Procedure 01/2003

Items of standard equipment and specifications may vary by country or area.

Makita Corporation

3-11-8 Sumiyoshi-cho, Anjo, Aichi, 446-8502 Japan

PRINTED IN JAPAN BE-AB



Combination Hammer HR2621 26mm (1")

Satisfy Professional's Needs



Adapted for
SDS-PLUS bits



Extra Comfort with

AVT

ANTI VIBRATION TECHNOLOGY

Tool does not come with bit.

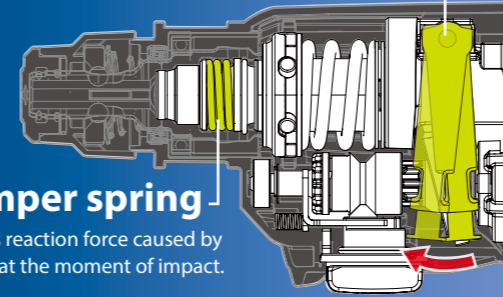
Extremely low vibration achieved by ...

AVT

ANTI VIBRATION TECHNOLOGY

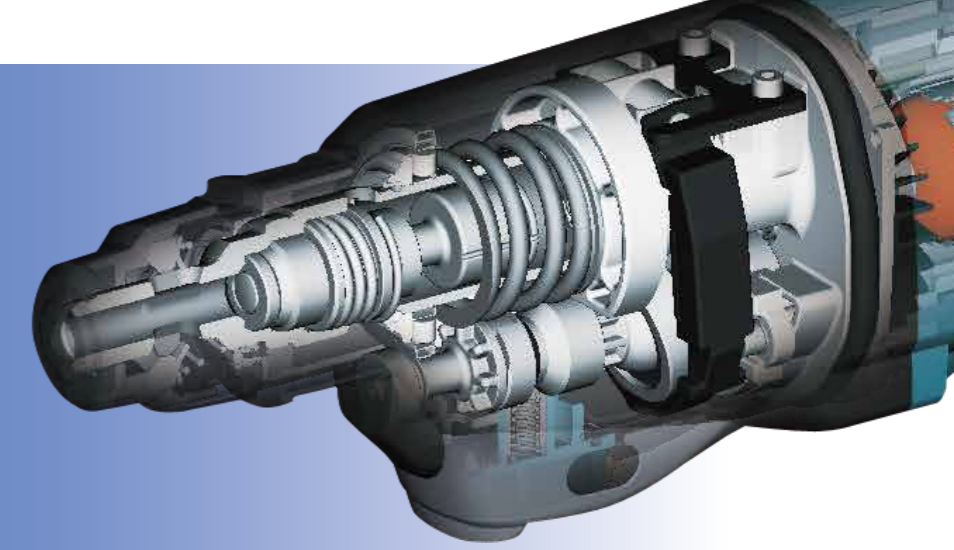
Counterweight mechanism

dampens the vibration produced by impact mechanism by moving a counterweight in the opposite direction to the movement of the piston.



Damper spring

absorbs reaction force caused by drill bit at the moment of impact.



Dust cup (Option)

is suited for interior or overhead drilling where dust exposure must be avoided.



Easy depth adjustment

Depth gauge can be adjusted with a single motion.



Rotation reversing system using brush holder unit

Features the following advantages:

- Protects Carbon Brush from foreign dusts and debris.
- Life of Carbon Brush is 2.7 times long as the existing models.
- Same speed and torque even in reverse rotation
- Saves time and labor for repair thanks to simplified wiring.

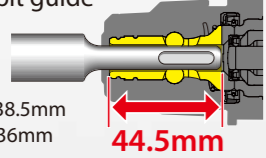
D-handle with soft grip

ergonomically designed to provide more comfort and control.



Minimum bit wobbling with longer bit guide

Competitor B : 38.5mm
Competitor H : 36mm

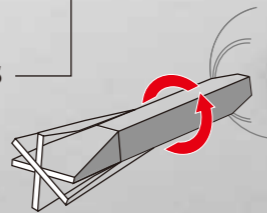


One-touch sliding chuck

for easy bit changes

40 Different bit-angle settings

The bit-angle is adjustable without chisel adapter.



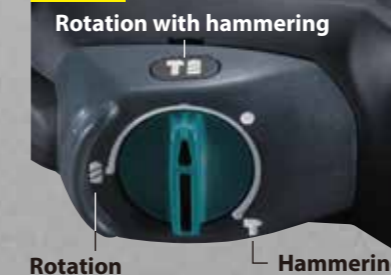
Torque limiter

When drill bit hits against reinforcements, Torque limiter operates to stop.

Operation mode change lever

positioned on the bottom of gear housing for reduced possibility of breakage

3 mode



Retractable sky hook

allows to hang the machine on ladder rungs or guard rails of aerial work platform.



26mm (1")
Combination Hammer 3 mode

(Tool does not come with bit.)



Adapted for SDS-PLUS bits