




A world's leading manufacturer of power tools

 Primer Pump

Petrol Top Handle Chain Saw

Model DCS340TH

Advanced tree care saw!

Compact, light weight, and ideally balanced for limbing and pruning!



NEW

1. Top Handle
Ergonomically design top handle is also optimum for downward applications.

2. Anti-Vibration Design
For more controlled operation.

3. Inertia Chain Brake
For increased safety.

4. Automatic Oiler
For steady bar oiling.

Advanced tree care saw

Makita new petrol saw is exceptionally easy to handle for advanced tree care. The powerful engine and high chain speed packed in a compact body ensure unrivalled handiness, making it easier and more comfortable to cut high branches in difficult to reach positions.

Specifications

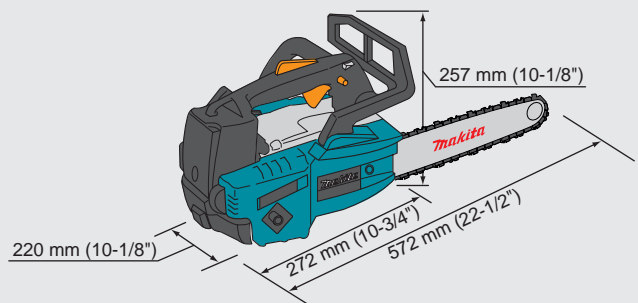
Petrol Top Handle Chain Saw

Primer Pump

Standard guide bar 300 mm (11-3/4")
 Semi chisel chain
 Pitch 3/8"
 Gauge 0.050"
 Displacement 34 cm³
 Power rating 1.4 kw
 Fuel tank 300 cm³
 Power head weight 3.6 kg

Specifications may differ from country to country.

Dimensions



Standard equipment

Petrol Top Handle Chain Saw

	Part No
Guide Bar	TN00002340
Chain Blade	TN00002360

	Part No
Wrench 13 x 19	TN00003360
Chain Cover 12"	TN00002210

Items of standard equipment may differ from country to country.