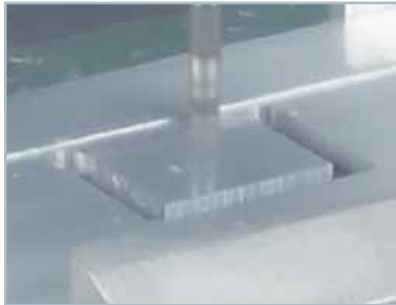




# Sash Router 4403

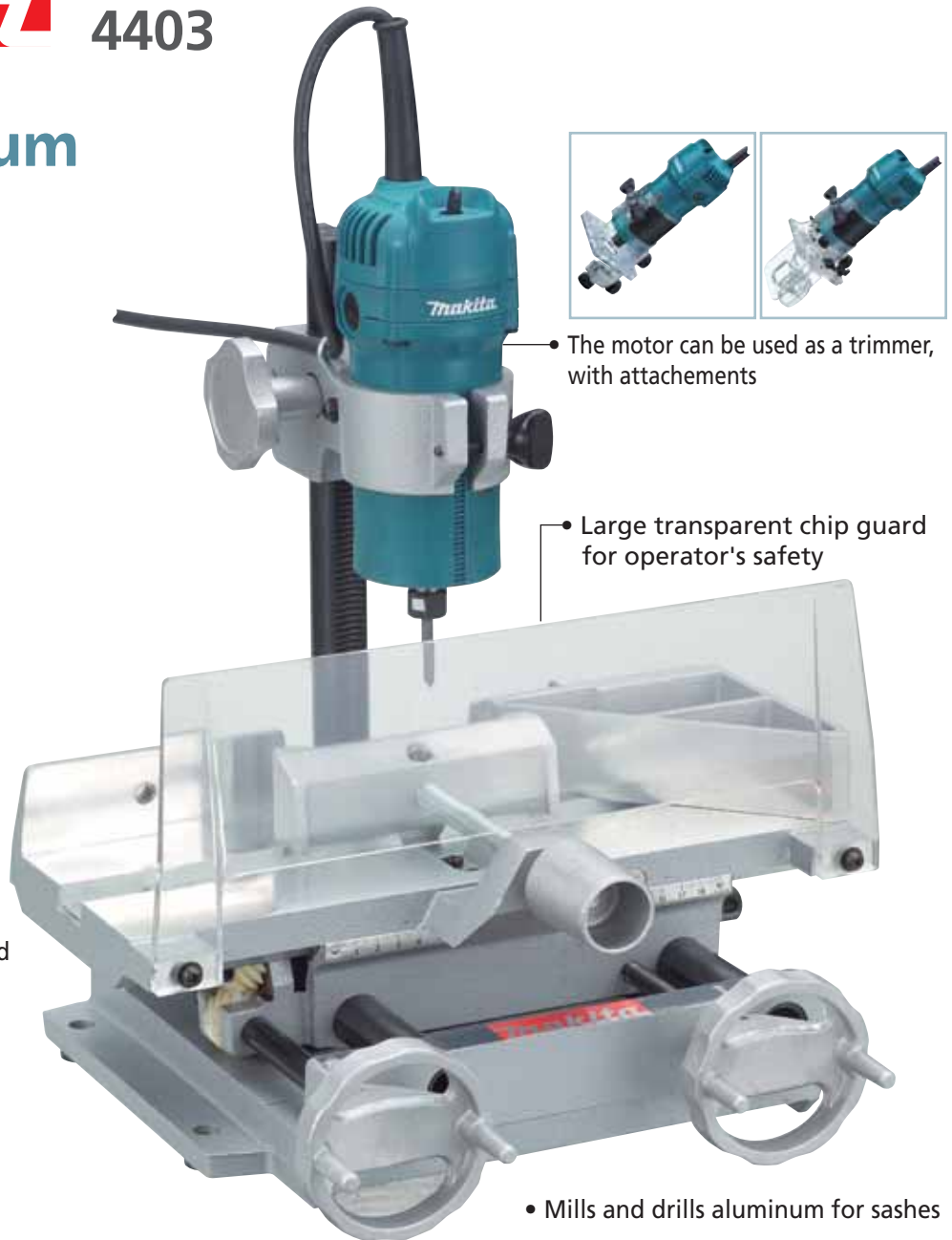
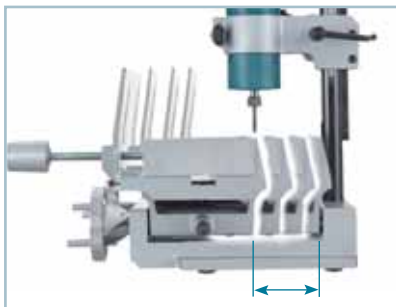
## Cuts Aluminum



- Base travels side to side



- Base travels forward and backward



### Sash Router

### 4403



Double Insulation

<b>Continuous rating Input</b>	530W
<b>Capacity</b>	Collet : 6mm or 1/4"
<b>Max. width of work</b>	123mm (4-7/8")
<b>Max. width at 45 degrees</b>	77mm (3")
<b>Max. height of work</b>	185mm (7-1/4")
<b>Base transv. travel</b>	113mm (4-1/2")
<b>Base longjt. travel</b>	73mm (2-7/8")
<b>No load speed</b>	30,000rpm
<b>Overall dimensions (L x H x W)</b>	327mm x 350mm x 355mm (12-7/8" x 13-13/16" x 14")
<b>Net weight</b>	15.9kg (35lbs)
<b>Power supply cord</b>	2.5m (8.2ft)

#### Standard Equipment

Sash Router Bit (Drill Point), Angle Gauge, Wrenches 2, Oil Supply, Collet Cone (6mm or 1/4")

Items of standard equipment and specifications may differ from country to country.

## Makita Corporation

3-11-8, Sumiyoshi-cho, Anjo, Aichi 446-8502, Japan

PRINTED IN JAPAN Z23205-2 2005-10