



# Miter saw

# Makita's First Flip Over Saw LF1000

Light Weight Motor

Quick & Easy Conversion

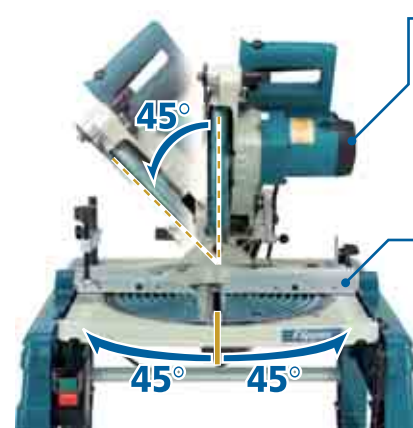
# Flipper

Compact Fold-Away Legs

Light Weight 32kg (70lbs) incl. legs

# Table saw

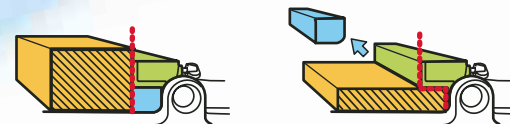
## Rigid Cast Aluminium Table



**:: Tough Motor**

- ideal for
- 1) Cutting Material with load
- 2) Bevel Cut (Max. 45° left)
- 3) Cutting Thick Material

**:: Removable Sub Fence**  
enables to cut thin and wide materials



**:: Soft Start**

prevents breaker from tripping at job sites

**:: Electric Brake**

for your safety



**:: On-Off Switch with Anti-Restart Function**  
protects operator from accidental start. Also equipped with Lock-On and Lock-Off function.

**:: Constant Speed**

maintains constant cutting speed under operational load