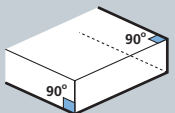
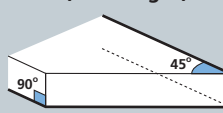
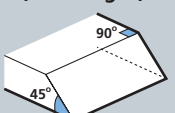
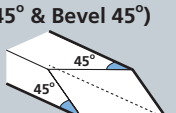



SPECIFICATIONS

Grip for Carrying 	Easy Connecting with Vacuum Cleaner 
---	---


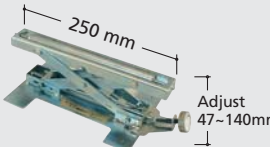
Cross Cut	Miter Cut (left & right)	Bevel Cut (left & right)	Compound Cut (Miter 45° & Bevel 45°)
			
52 mm x 300 mm (2-1/16" x 11-3/4")	45° left: 52 mm x 212 mm (2-1/16" x 8-3/8") 57° right: 52 mm x 163 mm (2-1/16" x 6-3/8")	45° left: 40 mm x 300 mm (1-9/16" x 11-3/4") 5° right: 40 mm x 300 mm (1-9/16" x 11-3/4")	45° left & right: 40 mm x 212 mm (1-9/16" x 8-3/8")
Wood facing 20 mm (3/4") thick	45° left: Wood facing 15 mm (9/16") thick 60 mm x 185 mm (2-3/8" x 7-1/4")	45° left: Wood facing 20 mm (3/4") thick 45 mm x 265 mm (1-3/4" x 10-3/8")	45° left & right: Wood facing 15 mm (9/16") thick 45 mm x 185 mm (1-3/4" x 7-1/4")
60 mm x 265 mm (2-3/8" x 10-3/8")	57° right: Wood facing 10 mm (3/8") thick 60 mm x 145 mm (2-3/8" x 5-3/4")		

 <p>Photo: LS0714FL</p>	<table border="0"> <tr> <td>Blade diameter</td> <td>190 mm (7-1/2")</td> </tr> <tr> <td>Continuous rating (Input)</td> <td>1,010 W</td> </tr> <tr> <td>No load speed</td> <td>6,000 min⁻¹ (rpm)</td> </tr> <tr> <td>Dimensions (L x W x H)</td> <td>430 mm x 670 mm x 458 mm (17" x 26-3/8" x 18")</td> </tr> <tr> <td>Net weight</td> <td>12.6 kg (27.8 lbs) (LS0714) 12.9 kg (28.4 lbs) (LS0714F) 13.2 kg (29.1 lbs) (LS0714FL)</td> </tr> <tr> <td>Power supply cord</td> <td>2.5 m</td> </tr> </table>	Blade diameter	190 mm (7-1/2")	Continuous rating (Input)	1,010 W	No load speed	6,000 min ⁻¹ (rpm)	Dimensions (L x W x H)	430 mm x 670 mm x 458 mm (17" x 26-3/8" x 18")	Net weight	12.6 kg (27.8 lbs) (LS0714) 12.9 kg (28.4 lbs) (LS0714F) 13.2 kg (29.1 lbs) (LS0714FL)	Power supply cord	2.5 m
Blade diameter	190 mm (7-1/2")												
Continuous rating (Input)	1,010 W												
No load speed	6,000 min ⁻¹ (rpm)												
Dimensions (L x W x H)	430 mm x 670 mm x 458 mm (17" x 26-3/8" x 18")												
Net weight	12.6 kg (27.8 lbs) (LS0714) 12.9 kg (28.4 lbs) (LS0714F) 13.2 kg (29.1 lbs) (LS0714FL)												
Power supply cord	2.5 m												

STANDARD EQUIPMENT

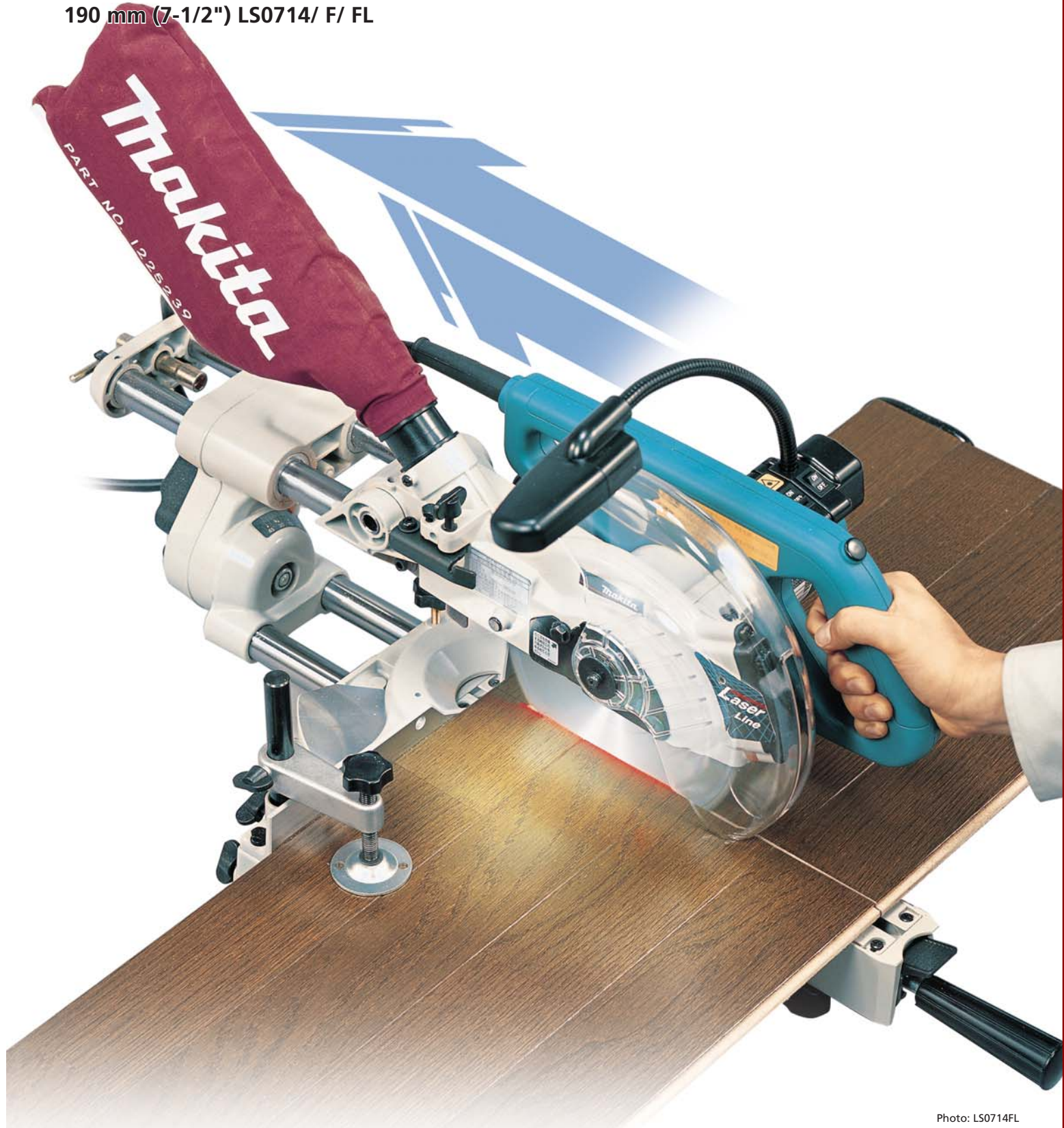
T.C.T Saw Blade (B-03850)	Dust Bag (122523-9)	Triangular Rule (762001-3)
Socket Wrench (782223-9)	Vertical Vise (122571-8)	Holder (322312-4)
Hex Wrench (783208-8 LS0714FL only)	Switch Button (411478-6)	

OPTIONAL ACCESSORIES

Carbide-tipped saw blade										Auxiliary Roller  <p>250 mm Adjust 47-140mm</p> <p>Weight 2.0 kg (4.4 lbs) Has 60 kg (132 lbs) capacity.</p>		Set plate (For cutting into identical lengths) Part No. 122472-0	
Material	Wood	190	20	-	2.2	5°	24	B-03850	Fluorescent light set Part No. 193730-1				
		190	20	-	2.0	10°	40	A-86751	Holder assembly Use each 2 pieces of Rod 12 (256812-1) and Holder assembly (192713-8) for supporting long stock.				
		190	20	-	2.0	5°	60	B-04008					
		190	20	-	2.0	10°	72	A-86359					
	Aluminum	190	20	-	2.0	5°	60	A-86767	Holder Part No. 192713-8				
								Horizontal vise assembly Part No. 122567-9					



Slide Compound Saw 190 mm (7-1/2") LS0714/ F/ FL



LS0714FL only Laser Marker  <p>45° left / 5° right Bevel Cutting (45° left / 5° right)</p>	LS0714F/FL only Fluorescent Lamp on Flexible Arm  <p>new</p>
---	--

MOST COMPACT SLIDE COMPOUND SAW IN ITS CLASS.

DOUBLE SLIDING MECHANISM MAKES IT LIGHTER AND MORE COMPACT THAN EVER



Photo: LS0714F

DUAL SMOOTH-SLIDING HEAD

LIGHTWEIGHT & COMPACT

Double sliding mechanism makes it lighter and more compact, requiring smaller work space, allowing quick storing and easy transport to job site.



MAX CUTTING CAPACITY 300 mm (width)

Double sliding mechanism extends sliding length for increased maximum cutting width.



PRECISION CUTTING

Use of short steel poles as 4 rails protects the rails from bending for accurate cutting, and each rail rides on a linear ball bearing for smooth dual sliding of saw head.



Laser Marker (LS0714FL only)

Allows easy and accurate alignment with ink line even in bevel cutting or cutting decorative timbers having contoured surface.



Fluorescent Lamp on Flexible Arm (LS0714F/ FL only)

For a clear view of cutting lines, uses the inverter type that can throw bright light widely on and around workpiece.

